

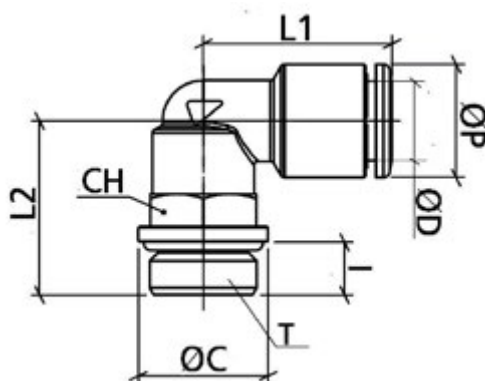
Data Sheet



Article number: 589OTRL04M5

Description: Metal Push-in fitting, elbow, $\varnothing 4$ / M5, w. o-ring
Type: OTRL04M5, Nickel plated brass

Measures



= 4
= M5x0,8
= 10
= 7
= 4
= 18
= 15
= 8

Weight = 5